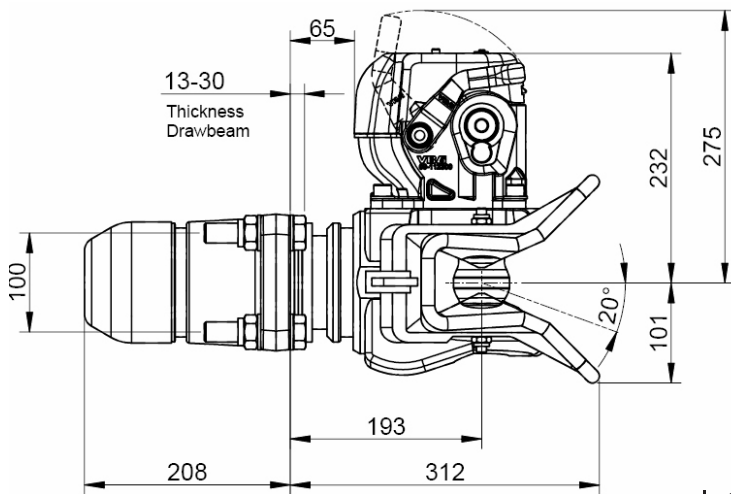


VBG 795VR

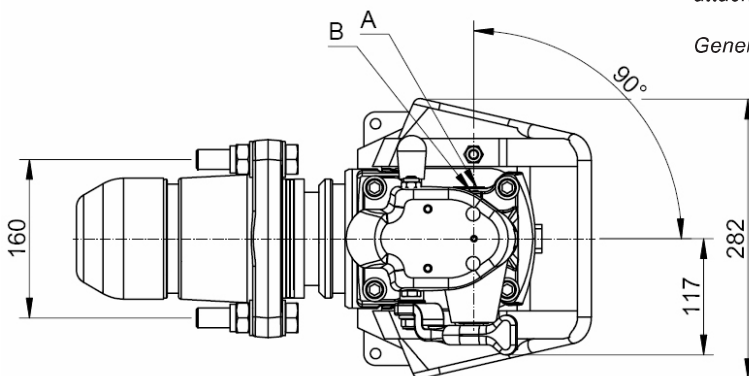


Coupling VBG 795VR is intended for heavy centre-axle trailers, twin steering axle trailers and dollies fitted with drawbar eyes in accordance with VBG standard Ø 57 mm. VBG 795VR has an enclosed and reinforced attachment package and is ideal for a combination of heavy loads/applications and poor road conditions. A robust and user-friendly design guarantees that the coupling is operationally reliable and durable.



In the event of an accident, the coupling can rotate 360° in its attachment.

General tolerance +/- 10 mm.



SPECIFICATIONS

Coupling VBG 795VR

Part no. 09-057900

Performance values

	Alternative 1	Alternative 2
D (kN)	290	290
D_c (kN)	145	150
V (kN)	95	75
S (kg)	1000	2000

Hole pattern, drawbeam

160 x 100 mm

Intended for eye:

Ø 57 mm VBG Std

Dead weight

61 kg

EU coupling class

S

Type approval no.

e4*94/20*1699

E4*55R-010065